

110/125 Volt Round			MFD	165 Volt Round			220/250 Volt Round			330 Volt Round				
Part #	Dia.	Hgt.		Part #	Dia.	Hgt.	Part #	Dia.	Hgt.	Part #	Dia.	Hgt.		
35-21A125	1.44"	2.75"	21-25											
35-25A125	1.44"	2.75"	25-30				35-21A250	1.44"	2.75"	35-21B330	1.44"	3.38"		
35-30A125	1.44"	2.75"	30-36				35-25A250	1.44"	2.75"	35-25B330	1.44"	3.38"		
35-36A125	1.44"	2.75"	36-43				35-30A250	1.44"	2.75"	35-30D330	1.81"	3.38"		
35-43A125	1.44"	2.75"	43-56				35-36B250	1.44"	3.38"	35-36D330	1.81"	3.38"		
			43-56				35-43B250	1.44"	3.38"	35-43D330	1.81"	3.38"		
			47-56				35-43F250	2.06"	3.38"					
35-53A125	1.44"	2.75"	53-64				35-47B250	1.44"	3.38"					
			53-64				35-53A250	1.44"	2.75"	35-53D330	1.81"	3.38"		
			56-72				35-53B250	1.44"	3.38"					
			56-72				35-56A250	1.44"	2.75"	35-56D330	1.81"	3.38"		
			59-71				35-56B250	1.44"	3.38"					
35-64A125	1.44"	2.75"	64-77				35-59F250	2.06"	3.38"					
			64-77				35-64A250	1.44"	2.75"					
35-72A125	1.44"	2.75"	72-88			35-72A165	1.44"	2.75"	35-64D250	1.81"	3.38"	35-64D330	1.81"	3.38"
35-88A125	1.44"	2.75"	88-108			35-88A165	1.44"	2.75"	35-72D250	1.81"	3.38"	35-72E330	1.81"	4.38"
			108-130			35-108B165	1.44"	3.38"	35-88D250	1.81"	3.38"	35-88F330	2.06"	3.38"
35-108A125	1.44"	2.75"	108-130					35-108D250	1.81"	3.38"	35-108D330	1.81"	3.38"	
35-124A125	1.44"	2.75"	124-149			35-124B165	1.44"	3.38"						
35-130A125	1.44"	2.75"	130-156			35-130B165	1.44"	3.38"	35-124D250	1.81"	3.38"	35-108G330	2.06"	4.38"
35-135A125	1.44"	2.75"	135-162					35-130D250	1.81"	3.38"	35-124G330	2.06"	4.38"	
35-145A125	1.44"	2.75"	145-174			35-145B165	1.44"	3.38"						
35-161A125	1.44"	2.75"	161-193			35-161D165	1.81"	3.38"	35-145F250	2.06"	3.38"	35-130G330	2.06"	4.38"
			161-193					35-161D250	1.81"	3.38"	35-135H330	2.56"	4.38"	
			161-193					35-161E250	1.81"	4.38"	35-145H330	2.56"	4.38"	
35-189A125	1.44"	2.75"	189-227			35-189D165	1.81"	3.38"	35-161F250	2.06"	3.38"	35-161H330	2.56"	4.38"
			189-227					35-189G250	2.06"	4.38"				
35-200A125	1.44"	2.75"	200-240							35-189G330	2.06"	4.38"		
35-216A125	1.44"	2.75"	216-259			35-216D165	1.81"	3.38"			35-189H330	2.56"	4.38"	
			216-259					35-216F250	2.06"	3.38"				
35-233A125	1.44"	2.75"	233-280			35-233D165	1.81"	3.38"	35-216G250	2.06"	4.38"	35-216H330	2.56"	4.38"
35-243A125	1.44"	2.75"	243-292			35-243D165	1.81"	3.38"	35-233G250	2.06"	4.38"			
35-243B125	1.44"	3.38"	243-292					35-243G250	2.06"	4.38"				
35-250A125	1.44"	2.75"	250-300											
35-250F125	2.06"	3.38"	250-300											
35-270A125	1.44"	2.75"	270-324			35-270D165	1.81"	3.38"	35-270G250	2.06"	4.38"			
35-270B125	1.44"	3.38"	270-324											
35-295A125	1.44"	2.75"	295-354											
35-300A125	1.44"	2.75"	300-360											
35-300D125	1.81"	3.38"	300-360											
			320-384											
35-324A125	1.44"	2.75"	324-388											
35-324D125	1.81"	3.38"	324-388											
35-340D125	1.81"	3.38"	340-408			35-340E165	1.81"	4.38"	35-340G250	2.06"	4.38"			
35-378D125	1.81"	3.38"	378-440			35-378E165	1.81"	4.38"	35-378H250	2.56"	4.38"			
35-400B125	1.44"	3.38"	400-480			35-400E165	1.81"	4.38"	35-400H250	2.56"	4.38"			
35-400D125	1.81"	3.38"	400-480											

Components



Continued Next Page

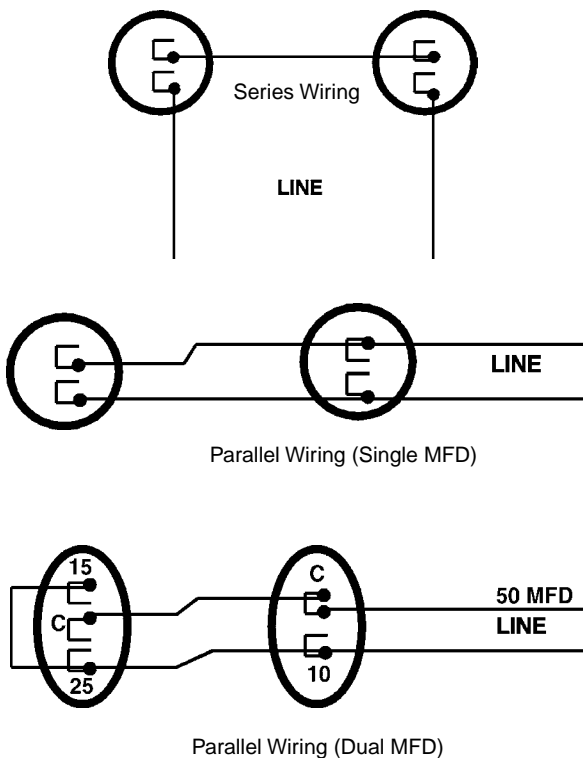
110/125 Volt Round			MFD	165 Volt Round		
Part #	Dia.	Height		Part #	Dia.	Height
35-430D125	1.81"	3.38"	430-515			
35-430F125	2.06"	3.38"	430-516			
35-460D125	1.81"	3.38"	460-552			
35-540D125	1.81"	3.38"	540-648			
35-540E125	1.81"	4.38"	540-648			
35-590D125	1.81"	3.38"	590-708			
35-590E125	1.81"	4.38"	590-708			
35-645E125	1.81"	4.38"	645-774			
35-708E125	1.81"	4.38"	708-850			
35-708F125	2.06"	3.38"	708-850			
35-708G125	2.06"	4.38"	708-850			
35-800D125	1.81"	3.38"	800-960			
35-815D125	1.81"	3.38"	815-978			
35-815E125	1.81"	4.38"	815-978			
35-829E125	1.81"	4.38"	829-995			
35-829G125	2.06"	4.38"	829-995			
35-850G125	2.06"	4.38"	850-1020			
35-1000G125	2.06"	4.38"	1000-1200			
35-1175G125	2.06"	4.38"	1175-1410			
35-1280G125	2.06"	4.38"	1280-1536			
				35-540G165	2.06" 4.38"	
				35-708G165	2.06" 4.38"	
				35-815G165	2.06" 4.38"	
				35-850G165	2.06" 4.38"	
				35-1000G165	2.06" 4.38"	



35-124A125
Illustrated

35-124G330
Illustrated

Capacitor Wiring Diagrams



35 - (21) (A) (125)

MFD Range Size Volt

Nomenclature

Size	Dimensions (cm)		Dimensions (")	
	Diameter	Height	Diameter	Height
A	3.66 cm	6.98 cm	1.44"	2.75"
B	3.66 cm	8.58 cm	1.44"	3.38"
C	3.66 cm	11.12 cm	1.44"	4.38"
D	4.60 cm	8.58 cm	1.81"	3.38"
E	4.60 cm	11.12 cm	1.81"	4.38"
F	5.23 cm	8.58 cm	2.06"	3.38"
G	5.23 cm	11.12 cm	2.06"	4.38"
H	5.23 cm	11.12 cm	2.56"	4.38"

NOTE:
CAPACITORS IN SERIES
 • MFD rating decreases; Voltage increases.

$$\text{New MFD Rating} = \frac{\text{MFD}_1 \times \text{MFD}_2}{\text{MFD}_1 + \text{MFD}_2}$$

CAPACITORS IN PARALLEL
 • MFD increases; Voltage rating stays constant.
(ex. two 5 MFD 370 V capacitors wired in parallel is the equivalent of a 10 MFD 370 V Capacitor)

$$\text{New MFD Rating} = \text{MFD}_1 + \text{MFD}_2$$

- When connected in either series or parallel it is recommended that capacitors with the same MFD ratings be used.
- Higher voltages may be substituted for lower voltages in the same MFD rating.

Components