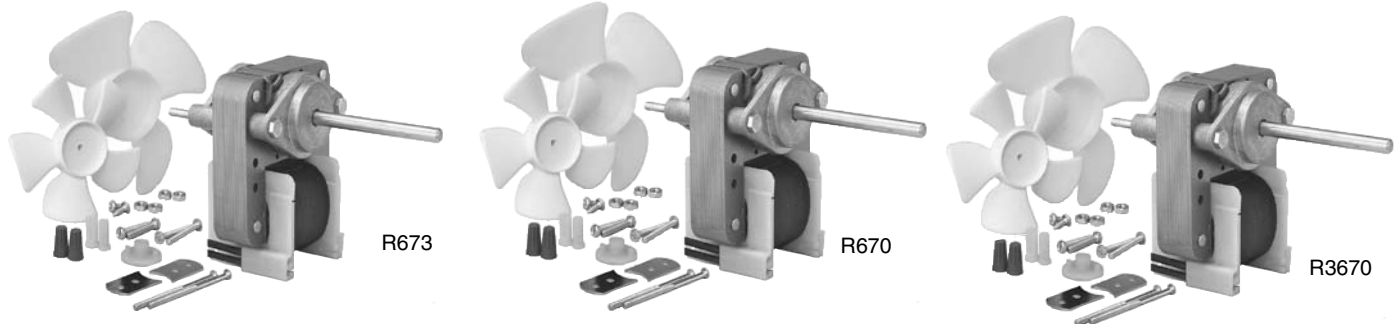
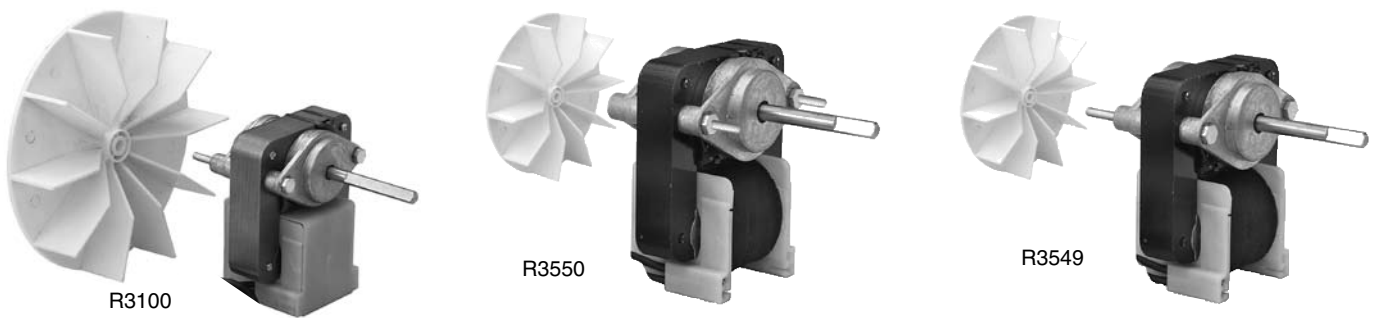


General Replacement



Part #	Amps	HP	Volts	Stack	Rot.	Shaft	Rated	Features	Comment
R673	0.40	1/110	115	0.63	C.W	1.3" x 3/16"	3000 RPM 0.40 Amps 1/110 HP	KIT-Wire leads, two speed, c/w two fan blades & mounting kit	GEN. REPLACEMENT 4673,14007, J673, K673, SM-673
R670	0.45	1/130	115	0.65	C.C.W.	1.3" x 3/16"	3000 RPM 0.45 Amps 1/130 HP	KIT-Cord & plug c/w two fan blades & mounting kit	GEN. REPLACEMENT 65670, 14001, 600, 700, 710, EM-670,SM-670
R3670	0.45 0.25	1/150	115 230	0.63	C.C.W.	1.5" x 3/16"	3000 RPM 0.45 Amps 1/150 HP	KIT-Cord & plug c/w two fan blades & mounting kit Blades:55432, 35431	ACME 600, 602, 700, 702, 710,EM670, EM672, 14001, 14005

Direct Replacement(Nutone)



Part #	Amps	HP	Volts	Stack	Rot.	Shaft	Rated	Features	Comment
R3100	0.50	1/130	115	0.65	C.W.	1.7" x 7/32"	3000 RPM 0.50 Amps 1/130 HP	KIT-Cord & plug c/w fan blade	BROAN NUTONE 65100, 33-100, C65878, EM-550,SM-550,VFM-100
R3550	0.60	1/115	115	0.55	C.W.	1.7" x 7/32"	3000 RPM 0.60 Amps 1/115 HP	KIT-Cord & plug c/w fan blade, Rear mounting	BROAN NUTONE 65100, 33-100, C65878, EM-550,SM-550,VFM-100
R3549	0.60	1/115	115	0.55	C.W.	1.7" x 7/32"	3000 RPM 0.60 Amps 1/115 HP	KIT-Cord & plug c/w fan blade, Front mounting	Front Mounting R3550