

Ball Bearings

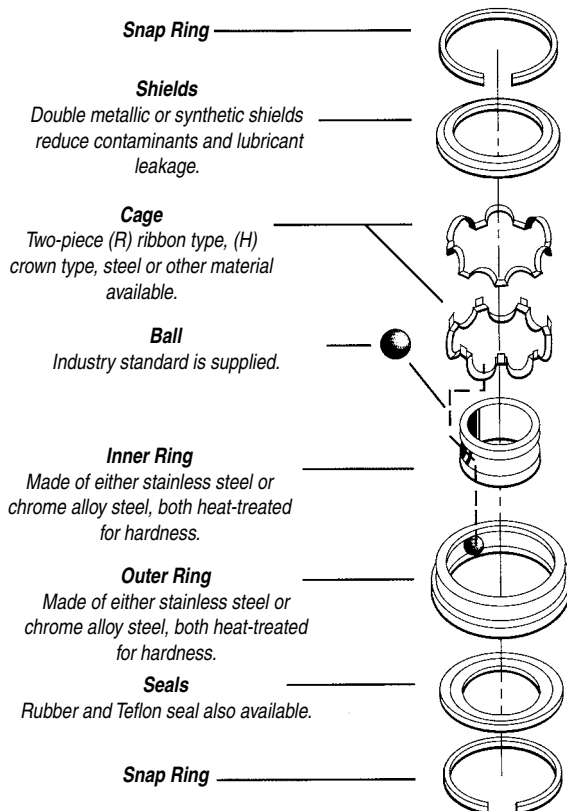
Bearing Types Available

- ZZ** - Double metallic shield (removable).
- 2RS** - Double Rubber (synthetic) shield.
- C3** - Radial internal clearance before mounting.



68-6000-2RS
Illustrated

Exploded View Of Ball Bearing



68-6000 Series

Add "2RS", "ZZ" or "C3" to end of part # when ordering.

Part #	ID		OD		Width	
	mm	inches	mm	inches	mm	inches
68-6000	10	0.3937	26	1.0236	8	0.3150
68-6001	12	0.4724	28	1.1024	8	0.3150
68-6002	15	0.5906	32	1.2598	9	0.3543
68-6003	17	0.6693	35	1.3780	10	0.3937
68-6004	20	0.7874	42	1.6535	12	0.4724
68-6005	25	0.9843	47	1.8504	12	0.4724
68-6006	30	1.1811	55	2.1654	13	0.5118
68-6007	35	1.3780	62	2.4409	14	0.5512
68-6008	40	1.5748	68	2.6772	15	0.5906
68-6009	45	1.7717	75	2.9528	16	0.6299
68-6010	50	1.9685	80	3.1496	16	0.6299
68-6011	55	2.1654	90	3.5433	18	0.7087
68-6012	60	2.3622	95	3.7402	18	0.7087
68-6013	65	2.5591	100	3.9370	18	0.7087
68-6014	70	2.7559	110	4.3307	20	0.7874
68-6015	75	2.9528	115	4.5276	20	0.7874
68-6016	80	3.1500	125	4.9212	22	0.8661
68-6017	85	3.3464	130	5.1181	22	0.8661
68-6018	90	3.5433	140	5.5118	24	0.9449

68-6200 Series

Add "2RS", "ZZ" or "C3" to end of part # when ordering.

Part #	ID		OD		Width	
	mm	inches	mm	inches	mm	inches
68-6200	10	0.3937	30	1.1811	9	0.3543
68-6201	12	0.4724	32	1.2598	10	0.3937
68-6202	15	0.5906	35	1.3780	11	0.4331
68-6203	17	0.6693	40	1.5748	12	0.4724
68-6204	20	0.7874	47	1.8504	14	0.5512
68-6205	25	0.9843	52	2.0472	15	0.5906
68-6206	30	1.1811	62	2.4409	16	0.6299
68-6207	35	1.3780	72	2.8346	17	0.6693
68-6208	40	1.5748	80	3.1496	18	0.7087
68-6209	45	1.7717	85	3.3465	19	0.7480
68-6210	50	1.9685	90	3.5433	20	0.7874
68-6211	55	2.1654	100	3.9370	21	0.8268
68-6212	60	2.3622	110	4.3307	22	0.8661
68-6213	65	2.5591	120	4.7244	23	0.9055
68-6214	70	2.7559	125	4.9213	24	0.9449
68-6215	75	2.9528	130	5.1181	25	0.9843
68-6216	80	3.1500	140	5.5118	26	1.0236
68-6217	85	3.3464	150	5.9055	28	1.1023

To convert inches to millimeters - multiply inches by 25.4

To convert millimeters to inches - divide millimeters by 25.4

Ball Bearings

Bearing Types Available

- ZZ** - Double metallic shield (removable).
- 2RS** - Double Rubber (synthetic) shield.
- C3** - Radial internal clearance before mounting.

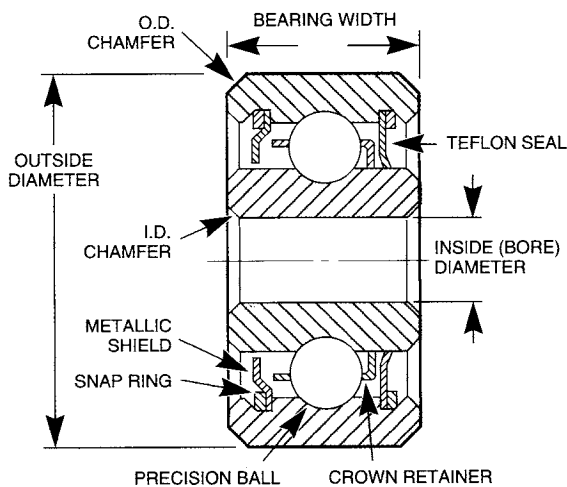


68-6300 Series

Add "2RS", "ZZ" or "C3" to end of part # when ordering.

Part #	ID		OD		Width	
	mm	inches	mm	inches	mm	inches
68-6300	10	0.3937	35	1.3780	11	0.4331
68-6301	12	0.4724	37	1.4567	12	0.4724
68-6302	15	0.5906	42	1.6535	13	0.5118
68-6303	17	0.6693	47	1.8504	14	0.5512
68-6304	20	0.7874	52	2.0472	15	0.5906
68-6305	25	0.9843	62	2.4409	17	0.6693
68-6306	30	1.1811	72	2.8346	19	0.7480
68-6307	35	1.3780	80	3.1496	21	0.8268
68-6308	40	1.5748	90	3.5433	23	0.9055
68-6309	45	1.7717	100	3.9370	25	0.9843
68-6310	50	1.9685	110	4.3307	27	1.0630
68-6311	55	2.1654	120	4.7244	29	1.1417
68-6312	60	2.3622	130	5.1181	31	1.2205
68-6313	65	2.5591	140	5.5118	33	1.2992
68-6314	70	2.7559	150	5.9055	35	1.3780
68-6315	75	2.9528	160	6.2992	37	1.4567
68-6316	80	3.1500	170	6.6929	39	1.5354

Typical 2RS & ZZ Bearing



Add "2RS", "ZZ" or "C3" to end of part # when ordering.

Part #	ID		OD		Width	
	mm	inches	mm	inches	mm	inches
68-634	4	0.1575	16	0.6299	5	0.1969
68-625	5	0.1969	16	0.6299	5	0.1969
68-626	6	0.2362	19	0.7480	6	0.2362
68-607	7	0.2756	19	0.7480	6	0.2362
68-627	7	0.2756	22	0.8661	7	0.2756
68-608	8	0.3150	22	0.8661	7	0.2756
68-6201-500	13	0.5000	32	1.2598	10	0.3937
68-6201-13	13	0.5118	32	1.2598	10	0.3937
68-6202-500	13	0.5000	35	1.3780	11	0.4331
68-6202-625	16	0.6250	35	1.3780	11	0.4331
68-6202-16	16	0.6299	35	1.3780	11	0.4331
68-6203-625	16	0.6250	40	1.5748	12	0.4724
68-6203-16	16	0.6299	40	1.5748	12	0.4724
68-6203-2RSNR	17	0.6693	40	1.5748	12	0.4724
68-6203-750	19	0.7500	40	1.5748	12	0.4724
68-6204-875	22	0.8750	47	1.8504	14	0.5512
68-6205-1	25	1.0000	52	2.0472	15	0.5906

To convert inches to millimeters - multiply inches by 25.4

To convert millimeters to inches - divide millimeters by 25.4