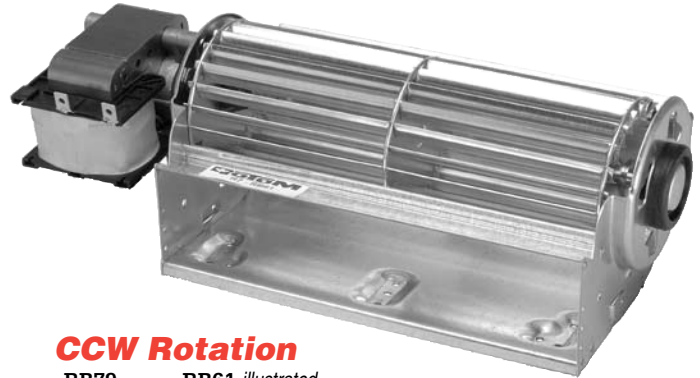


Tangential Blowers



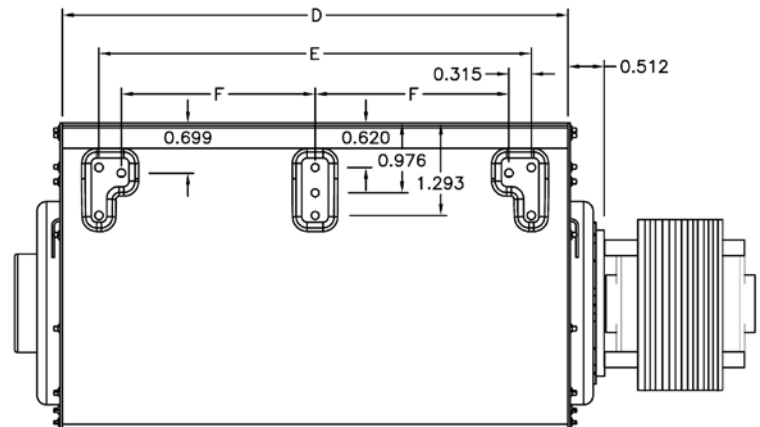
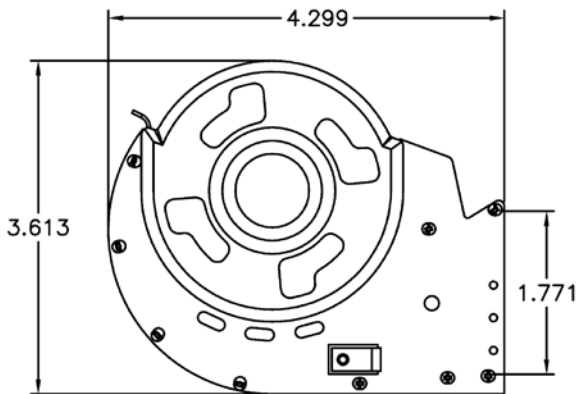
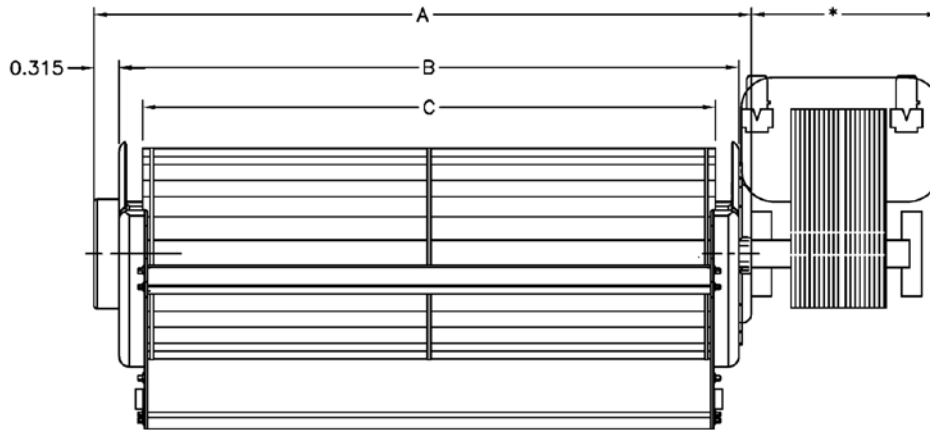
CW Rotation

RB66 RB64
RB69 RB82 *illustrated*



CCW Rotation

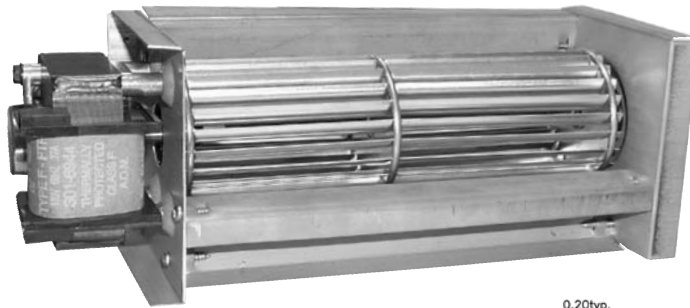
RB79 RB61 *illustrated*
RB84 RB86



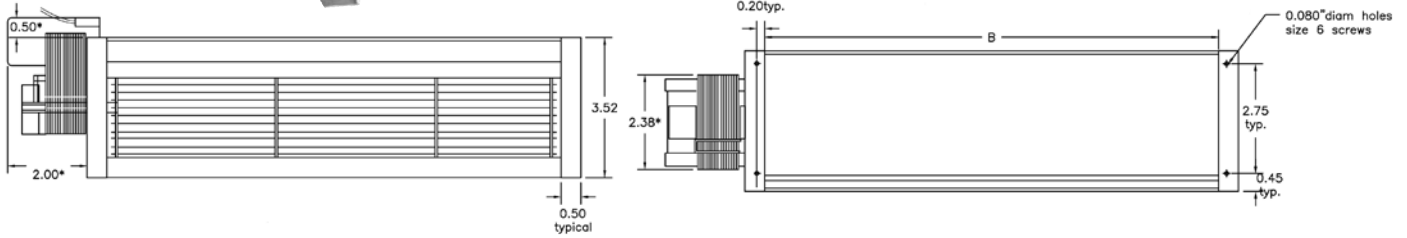
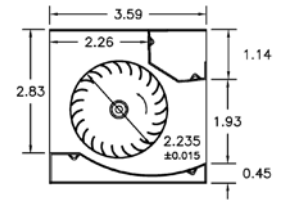
65mm Tangential Fans

Part #		Watts	Amps	RPM	CFM	Bear.	Body	Wheel	Dimensions					
CW	CCW								A	B	C	D	E	F
RB66	RB86	35	0.75	1/1800	80	Sleeve	8.0"×4.3"×3.6"	65×120mm (2.6×4.7")	5.91"	5.44"	4.90"	4.72"	3.70"	1.54"
RB82	RB61	42	0.75	1/1400	110	Sleeve	10.5"×4.3"×3.6"	65×180mm (2.6×7.1")	8.27"	7.80"	7.21"	7.09"	6.06"	2.72"
RB64	RB84	50	0.86	1/1200	130	Sleeve	12.9"×4.3"×3.6"	65×240mm (2.6×9.4")	10.27"	10.16"	9.56"	9.45"	8.43"	3.90"
RB69	RB79	62	1.10	1/1200	150	Sleeve	15.7"×4.3"×3.6"	65×300mm (2.6×11.8")	12.94"	12.46"	11.87"	11.81"	10.79"	5.08"

Tangential Blowers



RB944
illustrated



65mm Box Frame Fans

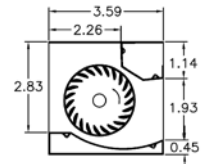
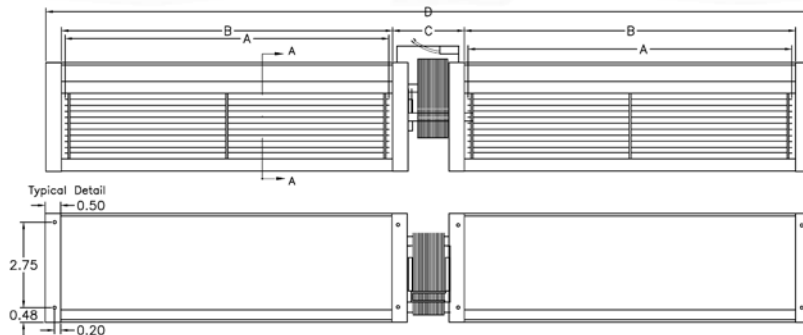
Part #	Watts	Volts	Amps	RPM	Rotation	CFM	Bearing	Body	Wheel	B
RB944	17	115	0.77	1/2900	CCW	105	Sleeve	10.3"×3.6"×3.6"	2.25"×7.13"	7.31"
RB939	29	115	0.62	1/2800	CW	180	Ball	15.5"×3.6"×3.6"	2.25"×12.25"	12.46"
RB949	29	115	0.97	1/2900	CCW	180	Ball	15.5"×3.6"×3.6"	2.25"×12.25"	12.46"
RB950	29	240	0.30	1/2900	CCW	180	Sleeve	15.5"×3.6"×3.6"	2.25"×12.25"	12.46"
RB948	34	115	0.77	1/2900	CCW	210	Sleeve	17.3"×3.6"×3.6"	2.25"×14.00"	14.25"



RB96
illustrated



RB221
illustrated



Double Tangential Fans

Sil-Flo: Marcot Baseboard Heater, Lau T221-18 (HB-RB221)

Part #	Watts	Volts	Amps	RPM	Rotation	CFM	Bearing	Body	Frame	Wheel	B	C	D
RB96	58	115	1.50	1/2900	CW	360	Sleeve	28.6"×3.6"×3.6"	Skel.	2.25"×12.25"	12.46"	3.02"	28.61"
RB221	12	115	0.60	2/1550	CCW	180/370	Sleeve	41"×3.6"×3.6"	3.3"	2.25"×17.25"	18.19"	3.19"	40.57"

Rotation determined opposite shaft end
Double shaft determined at lead end

Shaft length measured from hub face to shaft end

DC Axial Fans

40mm x 40mm x 20mm (1.57" x 1.57" x 0.79")

- Mounting Centres 32mm (1.26")

Part #	Volts	CFM	Bearing	Impeller	Noise	Connection	Weight
RF265	12VDC	7	Sleeve	Plastic	26dB (A)	Wire Leads	40g
RF268	12VDC	8.5	Sleeve	Plastic	31dB (A)	Wire Leads	40g

60mm x 60mm x 25mm (2.36" x 2.36" x 1.00")

- Mounting Centres 50mm (1.97")

Part #	Volts	CFM	Bearing	Impeller	Noise	Connection	Weight
RF270	12VDC	16.7	Sleeve	Plastic	25dB(A)	Wire Leads	75g

80mm x 80mm x 25mm (3.15" x 3.15" x 1.00")

- Mounting Centres 71.5mm (2.82")

Part #	Volts	CFM	Bearing	Impeller	Noise	Connection	Weight
RF275	12VDC	30	Sleeve	Plastic	24dB(A)	Wire Leads	85g
RF280	12VDC	37	Sleeve	Plastic	30dB(A)	Wire Leads	85g

92mm x 92mm x 25mm (3.62" x 3.62" x 1.00")

- Mounting Centres 82mm (3.25")

Part #	Volts	CFM	Bearing	Impeller	Noise	Connection	Weight
RF285	12VDC	50.5	Sleeve	Plastic	30dB(A)	Wire Leads	120g
RF287	12VDC	41.5	Sleeve	Plastic	28dB(A)	Wire Leads	120g

120mm x 120mm x 25mm (4.70" x 4.70" x 1.00")

- Mounting Centres 104.8mm (4.13")

Part #	Volts	CFM	Bearing	Impeller	Noise	Connection	Weight
RF290	12VDC	74.5	Sleeve	Plastic	44dB(A)	Wire Leads	150g
RF292	12VDC	61.4	Sleeve	Plastic	38dB(A)	Wire Leads	150g



Rotom Room-to-Room Air Booster

The RDF150 is a simple, inexpensive, easy to install and remarkably silent solution to uncomfortable and frustrating room to room heating or cooling problems. Mounted in a doorway and featuring a rotating bracket, it is possible to position or direct the enhanced airflow from one remote area to another for maximum, even heat distribution.

- Kit includes:
- Point of Purchase box with sleeve
 - 12' Cord with inline switch
 - Metal impeller
 - Die-cast aluminium housing
 - Chrome fan guards
 - Mounting swivel bracket & hardware



RDF150

Shaft length measured from hub face to shaft end

Rotation determined opposite shaft end
Double shaft determined at lead end

AC Axial Fans

80mm x 80mm x 38mm (3.15" x 3.15" x 1.5")

- Mounting Centres 71.5mm (2.82")

Part #	Watts	Volts	CFM	RPM	Bearing	Impeller	Noise	Connection	Weight
RF200	10	115	32	3100	Sleeve	Metal	34db (A)	Wire Leads	420g
RF201	9	115	21	2000	Sleeve	Metal	26db (A)	Wire Leads	420g
RF202	10	230	32	3100	Ball	Metal	34db (A)	Wire Leads	420g

120mm x 120mm x 38mm (4.72" x 4.72" x 1.5")

- Mounting Centres 105mm (4.13")

Part #	Watts	Volts	CFM	RPM	Bearing	Impeller	Noise	Connection	Weight
RF205	22	115	106	3000	Sleeve	Metal	50db (A)	Terminal	600g
RF210	22	115	106	3000	Ball	Metal	50db (A)	Terminal	600g
RF225	22	115	106	3000	Ball	Metal	50db (A)	Wire Leads	600g
RF215	21	230	106	3000	Sleeve	Metal	50db (A)	Terminal	600g
RF220	21	230	106	3000	Ball	Metal	50db (A)	Terminal	600g

119mm x 119mm x 38mm (4.69" x 4.69" x 1.5")

- Mounting Centres 105mm (4.13")

Part #	Watts	Volts	CFM	RPM	Bearing	Impeller	Noise	Connection	Weight
RF230	12	115	106	3100	Sleeve	Plastic	46db (A)	Terminal	530g
RF235	12	115	106	3100	Ball	Plastic	46db (A)	Terminal	530g
RF236	15	230	106	3100	Sleeve	Plastic	46db (A)	Terminal	530g
RF237	15	230	106	3100	Ball	Plastic	46db (A)	Terminal	530g

150mm x 150mm x 55mm (5.9" x 5.9" x 2.2")

- Mounting Centres 162mm (6.38")

Part #	Watts	Volts	CFM	RPM	Bearing	Impeller	Noise	Connection	Weight
RF240	42	115	230	3400	Ball	Plastic	53db (A)	Wire Leads	1kg
RF245	40	230	230	3400	Ball	Plastic	53db (A)	Wire Leads	1kg

150mm x 172mm x 38mm (5.9" x 6.7" x 1.5")

- Mounting Centres 162mm (6.38")

Part #	Watts	Volts	CFM	RPM	Bearing	Impeller	Noise	Connection	Weight
RF247	28	115	212	3400	Ball	Plastic	58db (A)	Terminal	720g
RF248	26	230	212	3400	Ball	Plastic	58db (A)	Terminal	720g

180mm x 180mm x 90mm (7.1" x 7.1" x 3.5")

- Mounting Centres 152.7mm (6.01")

Part #	Watts	Volts	CFM	RPM	Bearing	Impeller	Noise	Connection	Weight
RF249	72	115	460	3400	Ball	Plastic	59db (A)	Screw	2.2kg

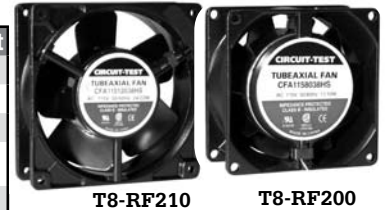
254mm x 254mm x 89mm (10" x 10" x 3.5")

- Mounting Centres 247mm (9.72")

Part #	Watts	Volts	CFM	RPM	Bearing	Impeller	Noise	Connection	Weight
RF250	35	115	547	1650	Ball	Plastic	55db (A)	Terminal	1.9kg
RF255	33	230	547	1650	Ball	Plastic	55db (A)	Terminal	1.9kg

Axial Fan Features:

- Die-cast Aluminum Housing
- Shaded Pole Motor
- Impedance Protection
- CSA & UL Approved.
- Operating Temp. Range -10°C to 70°C
- Metal or Plastic Impellers
- Sleeve or Ball Bearings



T8-RF210

T8-RF200



T8-RF230



T8-RF245



T8-RF250

Metal Fan Guards

Part #	Size
T8-CFG-60M	66mm
T8-CFG-80M	80mm
T8-CFG-92M	92mm
T8-CFG-120M	120mm
T8-CFG-150M	150mm
T8-CFG-254M	254mm

Plastic Fan Guards

Mounting: Plastic Tabs

Part #	Size
T8-CFG-80P	80mm
T8-CFG-120P	120mm

Note: T8-CFG-80M, 120M, 150M are also available in black. *

T8-CFC-T24



Axial AC Power Cords

Bare Wire - 2 Pin molded connection to bare wire leads.

Plug - 2 Pin molded connection to 2 prong plug.

Bare Wire	Description	Plug
T8-CFC-T24	60.96cm (24") Cord	T8-CFC-T24P
T8-CFC-T48	121.92cm (48") Cord	T8-CFC-T48P
T8-CFC-T72	182.88cm (72") Cord	T8-CFC-T72P

Rotation determined opposite shaft end
Double shaft determined at lead end

Shaft length measured from hub
face to shaft end